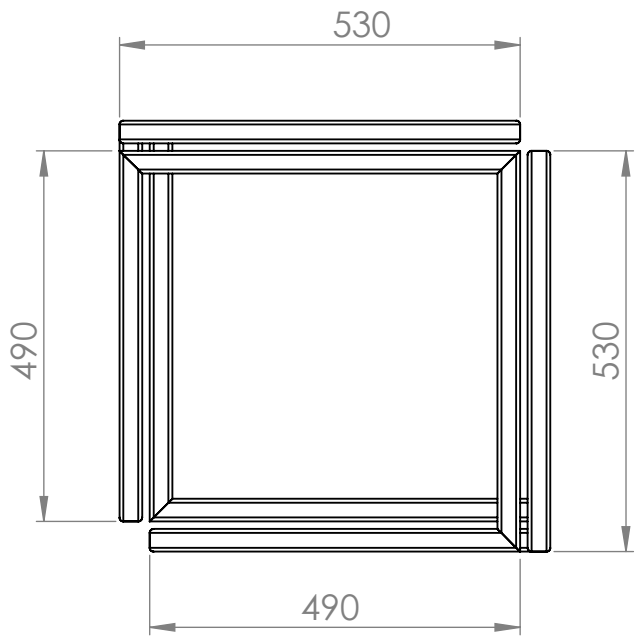
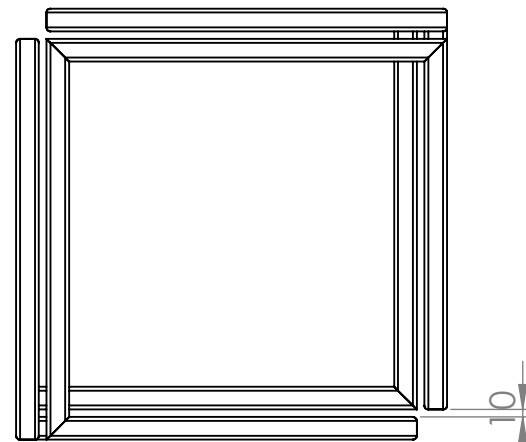


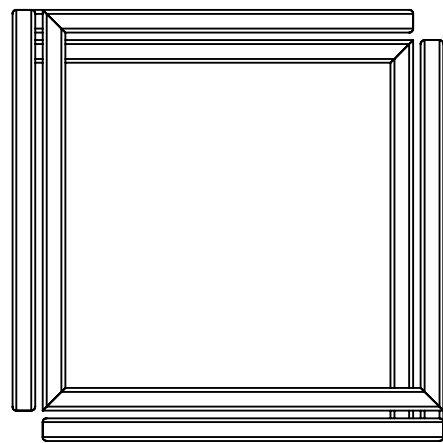
Top View



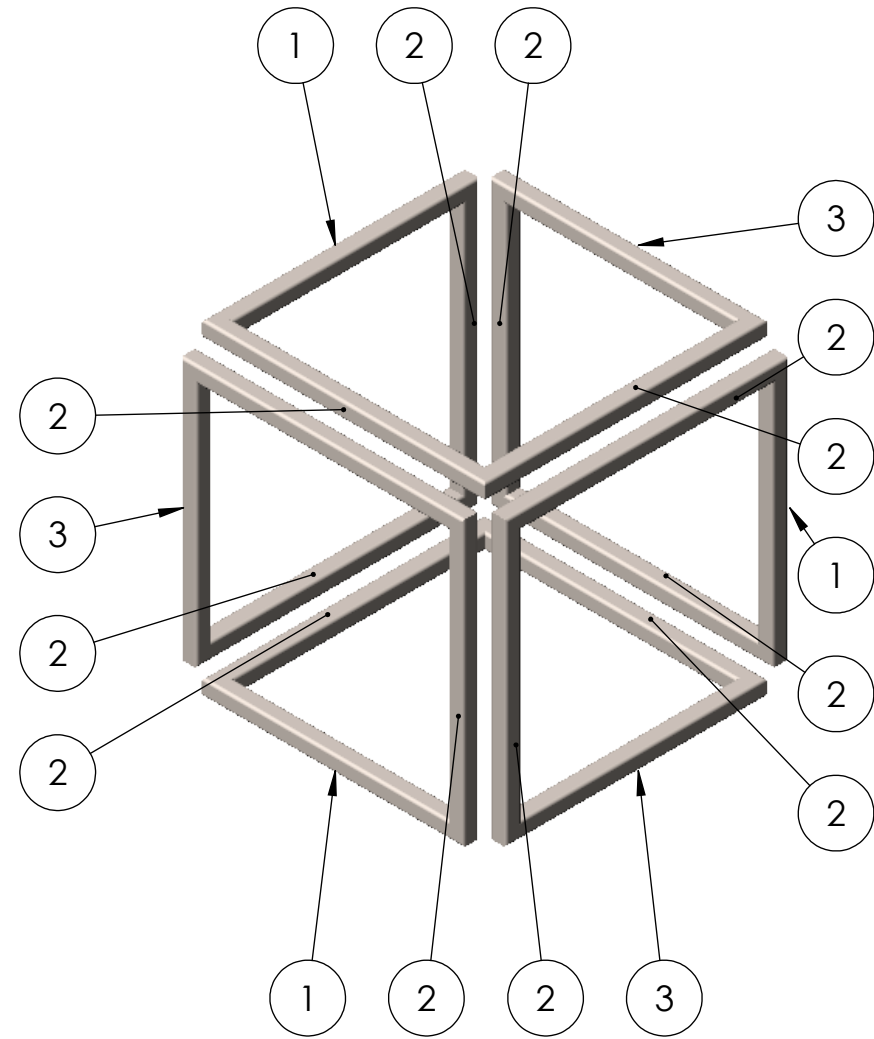
Front View



Right Side View



Bottom View



ITEM NO.	QTY.	DESCRIPTION	LENGTH
1	3	TUBE, SQUARE 30 X 30 X 2.60	490
2	12	TUBE, SQUARE 30 X 30 X 2.60	530
3	3	TUBE, SQUARE 30 X 30 X 2.60	490

UNLESS OTHERWISE SPECIFIED: DIMENSIONS ARE IN MILLIMETERS SURFACE FINISH: Paint TOLERANCES: LINEAR: +/-1mm ANGULAR:		FINISH: Paint	DEBURR AND BREAK SHARP EDGES	DO NOT SCALE DRAWING	REVISION
NAME	SIGNATURE	DATE	TITLE: 3D Table		
DRAWN Rod Day		17-02-19			
CHK'D					
APPV'D					
MFG					
Q.A			MATERIAL: 30x30x2.6 SHS	DWG NO. Table 101	A3
			WEIGHT:	SCALE:1:10	SHEET 1 OF 1